

PROFICIENT™ Audio Systems

OWNER'S MANUAL

C1030

LCR Ceiling Speaker



WARNING: To avoid possible injury, the PCB-C1000 Mounting Bracket **must** be used with the C1030 speaker for both new construction and retrofit installations. The included mounting bracket

was specifically designed to support the weight and size of the C1030, and to prevent it from coming loose and dropping from the ceiling. Always use the PCB-C1000 Mounting Bracket when installing the C1030 speaker.

INTRODUCTION

Thank you for purchasing the C1030 LCR Ceiling Speaker. The directional woofer and pivoting midrange and tweeter make the C1030 a perfect choice for in-ceiling home cinema speaker setups, from stereo and LCR (left-center-right), to 3.1, 5.1 and 7.1 configurations. The three-way speaker system with 10" woofer brings you an extraordinarily robust music or cinema experience, while the ± 3 dB midrange and tweeter adjustments provide ultimate fine-tuning to room size and acoustics, or according to personal preference.

PACKAGE CONTENTS

- (1) C1030 LCR Ceiling Speaker & Grille
- (1) PCB-C1000 Mounting Bracket
- (1) Hole-Cutting Template
- (1) Paint Mask Insert

SPEAKER PLACEMENT & SETUP

Before installing your C1030 LCR Ceiling Speaker, you should consider its placement carefully, taking into account the location of HVAC ducts, electrical conduit, plumbing lines, and other fixtures. For retrofit installations, this can best be determined by noting the placement of fixtures and gaining access to an attic or crawl space for further analysis of the location of such obstacles.

Prior to the actual installation of the speaker, it will be necessary to run wiring to the speaker location. After the wire has been properly installed, you are ready to install the mounting bracket. For new construction, mount the speaker after the drywall installation is complete.

Placement in Ceiling: When placing your speaker into the ceiling, it should be located so that the fixed 15° angle woofer is pointed toward the primary listening area. If the speaker is positioned away from the primary listening area, simply adjust the pivoting midrange and tweeter so they are pointed toward it.

Note: To avoid possible damage to the pivoting midrange and tweeter, read the section entitled "SPEAKER ADJUSTMENTS" in this manual prior to performing the adjustment. In very large rooms with low ceilings, it may be necessary to place additional speakers throughout the room for better coverage.

MOUNTING BRACKET INSTALLATION – NEW CONSTRUCTION (See Diagram 1)

The included PCB-C1000 Mounting Bracket is designed for both new construction & retrofit installations. The PCB-C1000 Mounting Bracket may be installed prior to drywall application across joists (from 16" to 24" on-center) where a speaker will be located.

For new construction, the PCB-C1000 Mounting Bracket is also available separately, in the event that the C1030 speaker has not yet arrived on-site, or is otherwise not available. Always use the PCB-C1000 Mounting Bracket when installing the C1030 speaker.

To install the mounting bracket in new construction:

1. Find the joists nearest the desired speaker mounting location. If you need to align the speaker to some other object

or molding in the room, be sure to consider the size of the baffle flange which extends beyond the mounting hole.

2. Line up bottom of one of the mounting bars with the bottom of the joist. This will place the screw holes in an "L" position, flush with the side of the joist, and the mounting ring "lip" will be facing downward. Attach the mounting bar to the joist using appropriate wood screws.

3. Make sure that the mounting ring is in a perfectly circular shape by opening the bracket until the arms come in contact with the stoppers. Then, line up the bottom of the other mounting bar with the bottom of the same joist. Attach the mounting bar to the joist using appropriate wood screws.

4. Stretch both mounting bars to reach the opposite joist, then line up the bottoms of each mounting bar with the bottom of the joist. Attach each mounting bar to the joist using appropriate wood screws.

5. To adjust the position of the mounting ring between the joists, grab both sides of the mounting ring, where it connects to the mounting bar, then move the mounting ring into the desired position.

6. If the area in the ceiling is not already insulated, add an adequate amount of insulation material to loosely cover where the speaker will be positioned, being sure that the speaker wire remains accessible. If the insulation material used is faced with foil or paper, position the foil or paper away from the speaker. Adding insulation may also be done after drywall installation.

The protruding lip of the mounting ring will force the drywall installers to hang the drywall with an appropriate hole cut out around the mounting ring lip. After the drywall has been hung and finished, the speakers are then easily installed following the instructions for mounting in "SPEAKER INSTALLATION" below.

Diagram 1
PCB-C1000 Open Position

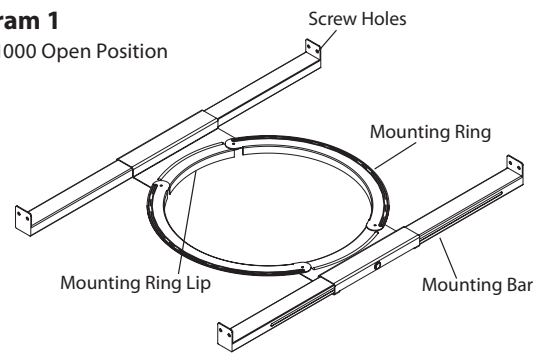
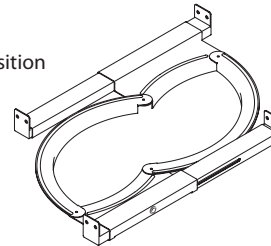


Diagram 2
PCB-C1000 Closed Position



MOUNTING BRACKET INSTALLATION – RETROFIT (See Diagrams 1, 2 & 3)

The included PCB-C1000 Mounting Bracket is designed for both new construction and retrofit installations. The intelligent folding design facilitates mounting the bracket through a speaker cut-out, therefore the mounting bracket may be installed across 16" to 24" on-center joists after drywall is installed. Always use the PCB-C1000 Mounting Bracket when installing the C1030 speaker.

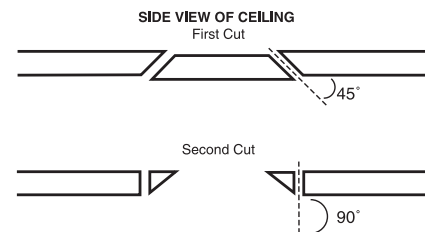
Retrofit Installation - Finished Ceilings

Follow the first set of instructions to prepare the mounting surface for a professional looking installation. Then, follow the second set of instructions for the mounting bracket installation.

To prepare the mounting surface in a retrofit installation:

1. Find the joists nearest the desired speaker mounting location. We highly recommend using a good stud-finder tool for this procedure. If you need to align the speakers to some other object or molding in the room, be sure to consider the size of the baffle flange which extends beyond the mounting hole. Please allow 1¼" space from the joist.
2. Mark the hole. A template for setting the hole is provided in the box (along with a paint mask insert for use when painting). Position the template in the desired position and pencil an outline on the ceiling.
3. Cut the hole. **CAUTION: This is the most important part of the entire installation.** If you are not certain whether any obstructions exist behind the desired mounting area, you should start by cutting a small hole in the center of your penciled mounting hole with a drywall saw, cutting at a 45° angle towards the inside of the hole. (See Diagram 3) Cutting the small hole at this angle will make drywall repair much easier, using the piece cut out. Once you have determined that there aren't any obstructions in your desired mounting location, cut the finished hole at a 90° angle to the ceiling surface.

Diagram 3



To install the mounting bracket in a retrofit:

1. Move the mounting bars in opposite directions, so that the mounting ring folds down to its narrowest width. Collapse the mounting bars to their shortest length.
2. With the mounting ring lip facing downward, insert the mounting bracket into the ceiling cavity through the previously cut hole in the ceiling drywall.
3. Make sure that the mounting ring is in a perfectly circular shape by opening the bracket until the arms come in contact with the stoppers, then set it into the ceiling hole. Push one of the mounting bar L-shaped edges until it is flush with the joist, and the bottom of the mounting bar lines up with the bottom of the joist. Attach the mounting bar to the joist using appropriate wood screws.
4. Push the other mounting bar L-shaped edge until it is flush with the same joist, and the bottom of the mounting bar lines up with the bottom of the joist. Attach the mounting bar to the joist using appropriate wood screws.
5. Stretch both mounting bars to reach the opposite joist, then line up the bottoms of each mounting bar with the bottom of the joist. Attach each mounting bar to the joist using appropriate wood screws.
6. If the area in the ceiling is not already insulated, add an adequate amount of insulation material to loosely cover where the speaker will be positioned, being sure that the speaker wire remains accessible. If the insulation material used is faced with foil or paper, position the foil or paper away from the speaker.

SPEAKER INSTALLATION

The unique integral mounting system incorporated into each LCR Ceiling Series speaker allows for a quick installation by following these easy steps:

1. Attach the speaker wire, observing the proper polarity with your amplifier, + to + and – to –. Make sure the appropriate channel of the amplifier is connected to the correct speaker (i.e. left, right or surrounds).

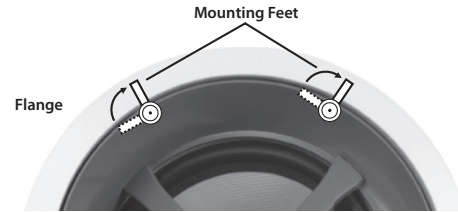
2. Be sure the mounting feet are turned inward to clear the opening, and insert the speaker into the ceiling. Position the speaker into the hole, being sure that the angled baffle is pointed toward the intended direction.

Note: The flange of the speaker is designed to flex and conform to any small imperfections in the ceiling's surface. Tighten the screws on the front of the baffle only enough to make the flange become snug against the ceiling.

3. As you tighten the screws, the feet automatically flip into an outward position (*See Diagram 4*), and begin to tighten from the backside, thereby clamping the drywall and mounting ring between the feet and the flange.

CAUTION: Overtightening may warp the baffle, crack the ceiling, cause the flange to distort, and make the grille difficult to install.

4. Push the grille firmly into the slot around the speaker baffle.



SPEAKER ADJUSTMENTS

The LCR Ceiling Series speakers come from the factory with the midrange and tweeter in line with the 15° angle of the woofer. This will result in the optimal directivity of the speaker system. However, depending on your particular primary listening area, room acoustics, ceiling height, or personal preference, you may find the sound more pleasing by pointing the midrange and/or tweeter in a particular direction.

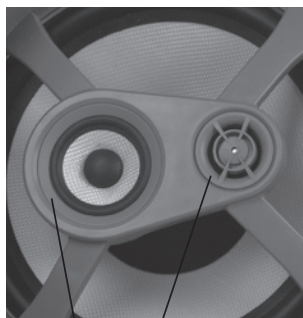


Diagram 5

For example, if additional treble is desired in the primary listening area, point the tweeter toward that area; and if less treble is required, point the tweeter away. Push gently at the edge of the tweeter to point it in the desired direction. For optimal directivity of the midrange, point it towards the listening area. If you wish to diffuse the midrange, such as when using a C1030 as a side-fill in a 7.1 setup, point the midrange speaker slightly away from the listening area.

CAUTION: Avoid touching metal dome tweeters or midrange speaker surfaces, as damage may occur. Carefully press on the edge of each pivoting mechanism as indicated. (*See Diagram 5*)

Tweeter Adjustment:

The switch labeled TREBLE allows for ± 3 dB of treble adjustment. Your speakers are shipped with the treble switch in the middle position, providing the most linear frequency response. If you desire more treble, move the switch to the "+" position, and the tweeter will play 3dB louder. If you desire less treble, move the switch to the "-" position, and the tweeter will play 3dB softer. To return to the neutral setting, move the switch back to the middle position. (*See Diagram 6*)



Diagram 6

Midrange Adjustment:

The switch labeled MIDRANGE allows for ± 3 dB of midrange adjustment. Your speakers were shipped with the midrange switch set to the middle position, providing the most linear frequency response. If you desire more midrange, move the switch to the "+" position and the midrange will play 3dB louder. If you desire less midrange, push the switch to the "-" position and the midrange will play 3dB softer. To return to the neutral setting, move the switch back to the middle position. (*See Diagram 6*)

PAINTING THE SPEAKER

If you plan to paint your speaker (grille and flange), we recommend that it be done prior to installation. If you plan to paint your speaker sometime in the future, it is best to remove it by simply reversing the steps for "SPEAKER INSTALLATION" above. If it is necessary to paint the speaker while it's still in the ceiling, the paint mask provided in the carton must be installed in place of the grille while the flange is being painted with the ceiling.

Do not paint the grille while it's installed on the speaker. Before painting, remove the material from the inside of the grille. Once the grille has been painted, return the material back into place. Great care should be taken not to clog the holes of the grille, as this will reduce both the sonic and aesthetic qualities of the speakers. Proficient recommends only light spray painting using 5 parts thinning agent to 1 part paint.

SPECIFICATIONS

Application:	7.1 Home Cinema Systems
Woofers:	10" Kevlar Cone
Midrange:	3" Pivoting Kevlar Cone
Tweeter:	1" Pivoting Aluminum Dome
Contour Switches:	±3dB Midrange & Treble
Power Handling:	200 watts
Frequency Response:	40Hz - 22kHz
Impedance:	4Ω
Sensitivity:	92dB 1W/1m
Dimensions:	Diameter 13 ³ / ₈ " x Depth 7 ⁵ / ₈ "
Ceiling Cut-Out:	Diameter 11 ⁷ / ₈ "
Weight:	14 ¹ / ₄ lbs

Features and specifications are subject to change without notice.

LIMITED TEN-YEAR WARRANTY

Proficient Audio Systems ("Proficient") warrants to the original retail purchaser only ("you") that this product will be free from defects in materials and workmanship for a period of ten years (the "Warranty Period"), subject to the limitations and exclusions set out in this Limited Warranty. This warranty is not transferable to subsequent owners of the product. If you discover a defect in material or workmanship within the Warranty Period, you can obtain warranty service by contacting Proficient during the Warranty Period at 877.888.9004 or techsupport@proficientaudio.com or by sending the product to Proficient at 940 Columbia Avenue, Riverside, CA 92507 or to the dealer from whom you purchased the product. Defective products must be shipped, prepaid and insured, together with proof of purchase. Warranty service requests made without proof of date of purchase will be denied. Freight collect shipments will be refused. It is preferable to ship this product in the original shipping container to lessen the chance of transit damage. In any case, the risk of loss or damage in transit is to be borne by the purchaser.

If, upon examination by Proficient or its authorized dealer, it is determined that the unit is in fact defective, Proficient will, at its option:

- Repair or replace the product at no additional charge; or
- If the model is no longer available and can not be repaired effectively, replace the unit with a current model of equal or greater value. In some cases where a new model is substituted, a modification to the mounting surface may be required. If mounting surface modification is required, Proficient assumes no responsibility or liability for such modification.

Proficient will bear the cost of returning the repaired or replaced product to you, freight prepaid. All replaced parts and product become the property of Proficient Audio Systems. The foregoing is your sole and exclusive remedy for breach of warranty. If the product is not found to be defective, Proficient will contact you to arrange for return of the product to you, at your expense.

EXCLUSIONS:

- This Warranty does not include service or parts to repair damage caused by accident, disaster, misuse, abuse, negligence, inadequate packing or shipping procedures, commercial use, voltage inputs in excess of the rated maximum of the unit, or service, repair or modification of the product by unauthorized dealers. This Warranty also excludes normal cosmetic deterioration caused by environmental conditions.
- This Warranty will be void if:
 - the Serial Number on the product has been removed, tampered with or defaced.
 - the product was not purchased from an authorized dealer.

THE FOREGOING WARRANTIES ARE EXCLUSIVE AND IN LIEU OF ALL OTHER EXPRESSED AND IMPLIED WARRANTIES. PROFICIENT EXPRESSLY DISCLAIMS ALL SUCH OTHER WARRANTIES, INCLUDING BUT NOT LIMITED TO IMPLIED WARRANTIES OF MERCHANTABILITY, FITNESS FOR A PARTICULAR PURPOSE AND NON-INFRINGEMENT. In no event will Proficient be liable for any incidental or consequential damages arising out of the use or inability to use the product, even if Proficient has been advised of the possibility of such damages, or for any claim by any other party. Notwithstanding the above, if you qualify as a "consumer" under the Magnuson-Moss Warranty Act, then you may be entitled to any implied warranties allowed by law for the Warranty Period. Further, some states do not allow limitations on how long an implied Limited Warranty lasts or allow the exclusion or limitation of consequential damages, so such limitations may not apply to you.

ATTENTION TO OUR VALUED CONSUMERS:

To insure that consumers obtain quality pre-sale and after-sale support and service, Proficient products are sold exclusively through authorized dealers. **Proficient products are not sold online** by Proficient or its authorized dealers, and this warranty is **VOID** if the products have been purchased from any internet reseller. To determine if your Proficient reseller is authorized, please call Proficient at 877.888.9004 or go to proficientaudio.com.

For technical inquires, please call 877.888.9004 or e-mail us at techsupport@proficientaudio.com. We are available to assist you every weekday, except holidays, between the hours of 7:00 a.m. and 5:00 p.m. PST.

