

LIMITED TWO-YEAR WARRANTY

Proficient Audio Systems warrants to the original retail purchaser **only** that this product will be free from defects in materials and workmanship for a period of two years, provided the speaker was purchased from a Proficient Audio Systems Authorized Dealer.

Defective products must be shipped, prepaid and insured, together with proof of purchase, to the Proficient Audio Systems Authorized Dealer from whom they were purchased, or to Proficient Audio Systems at the address listed on this installation instruction manual. Freight collect shipments will be refused. It is preferable to ship this product in the original shipping container to lessen the chance of transit damage. In any case, the risk of loss or damage in transit is to be borne by the purchaser.

If, upon examination at the Factory or Proficient Audio Systems Authorized Dealer, it is determined that the unit was defective in materials or workmanship at any time during this warranty period, Proficient Audio Systems or the Proficient Audio Systems Authorized Dealer will, at its option, repair or replace this product at no additional charge, except as set forth below. If this model is no longer available and can not be repaired effectively, Proficient Audio Systems, at its sole option, may replace the unit with a current model of equal or greater value. In some cases where a new model is substituted, a modification to the mounting surface may be required. If mounting surface modification is required, Proficient Audio Systems assumes no responsibility or liability for such modification. All replaced parts and product become the property of Proficient Audio Systems. Products replaced or repaired under this Warranty will be returned to the original retail purchaser, within a reasonable time, freight prepaid.

For technical inquiries please call 877-888-9004 or email us at techsupport@proficientaudio.com. We are available to assist you every weekday, except holidays, between the hours of 7:00 a.m. and 5:00 p.m. PST.

This Warranty does not include service or parts to repair damage caused by accident, disaster, misuse, abuse, negligence, inadequate packing or shipping procedures, commercial use, voltage inputs in excess of the rated maximum of the unit, or service, repair or modification of the product which has not been authorized or approved by Proficient Audio Systems. This Warranty also excludes normal cosmetic deterioration caused by environmental conditions. This warranty will be void if the Serial Number on the product has been removed, tampered with or defaced.

This Warranty is in lieu of all other expressed warranties. If the product is defective in materials or workmanship as warranted above, the purchaser's sole remedy shall be repair or replacement as provided above. In no event will Proficient Audio Systems be liable for any incidental or consequential damages arising out of the use or inability to use the product, even if Proficient Audio Systems, or a Proficient Audio Systems Authorized Dealer has been advised of the possibility of such damages, or for any claim by any other party. Some states do not allow the exclusion or limitation of consequential damages, so the above limitation and exclusion may not apply.

All implied warranties on the product are limited to the duration of this expressed Warranty. Some states do not allow limitation on the length of an implied warranty. If the original retail purchaser resides in such a state, this limitation does not apply.



INSTALLATION INSTRUCTIONS

Command Interface / Proficient Editor

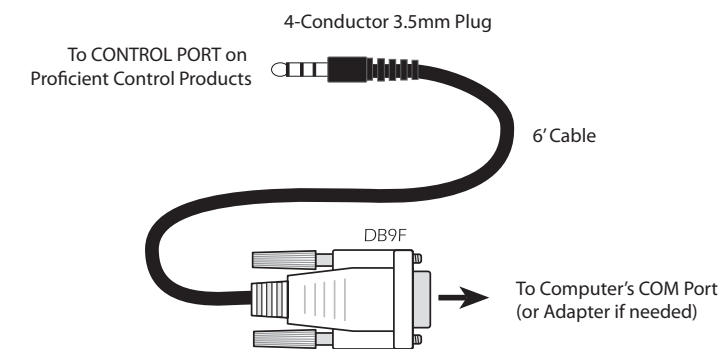
Learning / Test Module with Programming Software

Please refer to **Figure 1** to familiarize yourself with the components of this kit. The following are basic descriptions for each. Detailed instructions for both the Command Interface module and Proficient Editor software can be found in the Proficient Editor Manual.

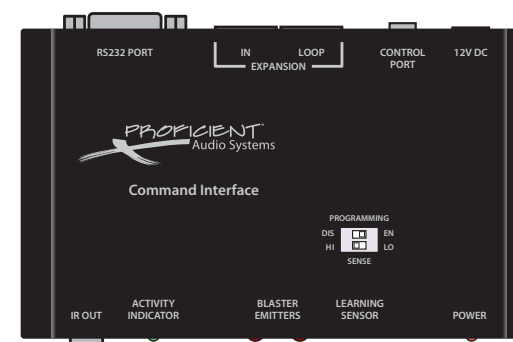
Figure 1
Command Interface Kit Components



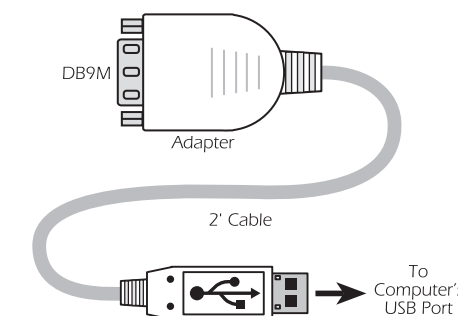
Proficient Editor
CD ROM
includes USB Adapter Driver



3.5mm Plug Transfer Cable



Command Interface
Learn/ Test Module



USB/ Serial Adapter Cable



940 Columbia Avenue, Riverside, CA 92507
877.888.9004 • Fax 951.750.6304 • proficientaudio.com

Proficient Editor

Proficient Editor is a Windows®-based software program, which provides for the complete configuring and programming of Proficient control systems. Some of its many features include: Key button choice and placement, single and multiple zone assignments, Command Library, IR learning and testing capability in conjunction with the Command Interface, single and macro command programming, status/power management, priority commands management, code length timing, delay settings, etc. As they become available, updates to the Proficient Editor software may be downloaded from the Proficient website at www.Proficient.com.

Windows® is a registered trademark of Microsoft Corporation

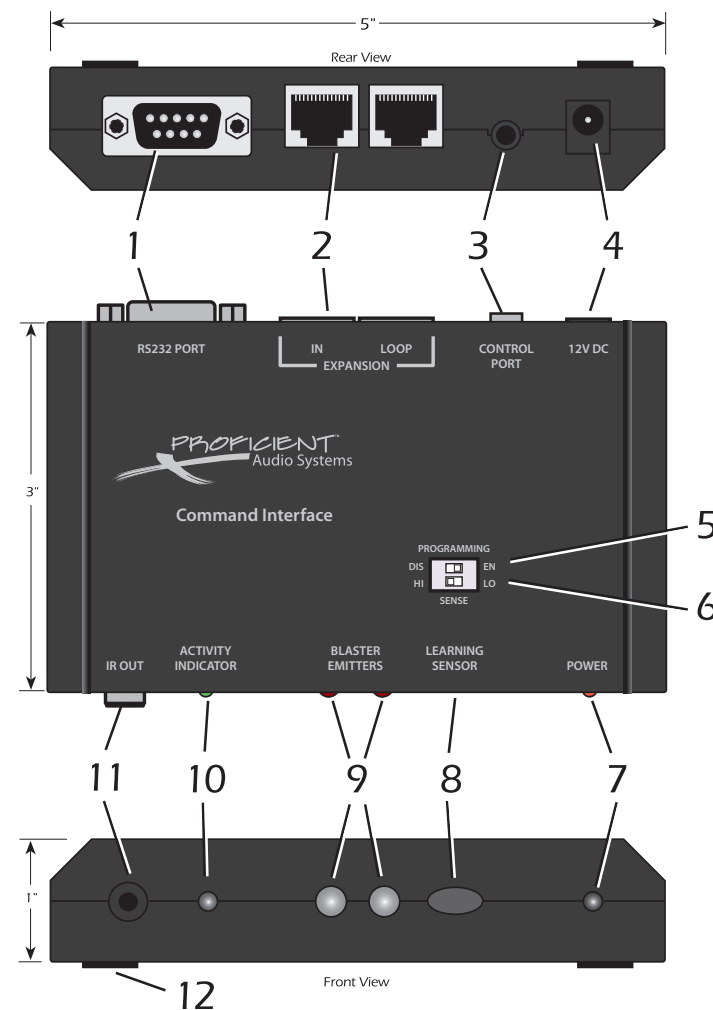
USB to 3.5mm Adapter Kit

The Proficient USB to 3.5mm Adapter Kit is designed to allow you to connect your PC to a variety of Proficient control products for programming purposes. Please refer to the USB to 3.5mm Adapter Kit Owner's Manual for detailed instructions.

Command Interface Learning / Test Module

The Command Interface is primarily an installer's tool and serves as an IR learning, IR teaching and command test module when used in conjunction with Proficient Editor. It includes blaster emitters so that learning remotes, used in conjunction with the EZ-Pads, can be programmed with system commands. Also, special controller codes are similarly taught so that keypad sources track automatically with sources selected by the remote. Please refer to Figure 2 to familiarize yourself with the Command Interface's features.

Figure 2
Command Interface Features



1. **RS232 PORT** – DB9M jack allows RS232 commands to be tested with RS232 controlled system components.
2. **EXPANSION Ports** – RJ45 jacks provide for the connection and testing of commands for future RS485 controlled products.
3. **CONTROL PORT** – 3.5mm 4-circuit phone jack is a serial port that provides several control functions. All command learning and testing functions are accomplished via this port, using Proficient Editor, in conjunction with the mating Transfer Cable (included). Firmware updates for the Command Interface are also accomplished via this port. NOTE: You would normally connect the Transfer Cable to the DB9 COM Port on your computer. However, if your computer does not have a DB9 COM Port, use the USB / Serial Adapter and related software on the CD-ROM, included. When using a USB port, connect the USB / Serial Adapter and the Transfer Cable together.
4. **+12V DC REGULATED** – 2.1mm DC power jack powers the Command Interface. Use the Proficient PS-1.0 12VDC 200mA power supply (included).
5. **PROGRAMMING Switch** – The upper DIP switch DISables or ENables internal Command Interface factory firmware updates. Leave this switch in the DIS position at all times, unless you are doing a firmware update. Such updates are accomplished via Proficient Editor through the CONTROL PORT (item #3) and ensure that improved functionality can always be accomplished in the field.
6. **SENSE Switch** – The lower DIP switch sets the sensitivity of the internal IR Learning Sensor. Normally, set it to the LO position. However, if the teaching remote has weak output, move it to the HI position.
7. **POWER** – Red LED indicates power supply is connected and system is active.
8. **LEARNING SENSOR Lens** – Internal IR sensor receives IR command data from external handheld remotes for learning purposes. Works with Proficient Editor for the learning and storage of IR commands that are not available in the internal command library. Point the “teaching” remote at this lens from a distance of about 1 to 4 inches when “learning” commands.
9. **BLASTER EMITTERS** – These high power emitters output IR commands for testing and “teaching” purposes. When testing commands, the controlled device(s) can be 30 feet or more away. When “teaching” commands into a learning remote, point the “learning” remote toward these emitters at a distance of about 1 to 4 inches. NOTE: These Blaster Emitters are automatically disabled whenever an emitter or any mating 3.5mm mini phone plug is inserted into the IR OUT jack (item # 11).
10. **ACTIVITY INDICATOR** – Green LED indicates IR learning mode activities. Also flashes during activation of internal command data.
11. **IR OUT** – 3.5mm 2-circuit mini phone jack will drive any of the Proficient or other compatible emitters at medium power levels for operational tests of IR commands. NOTE: The Blaster Emitters (item # 9) are automatically disabled whenever a mating 3.5mm mini phone plug is inserted into this jack.
12. **Non-Skid Foot Pads**

IMPORTANT NOTICE: Proficient is constantly upgrading the performance of the Command Interface. Please make sure you have the latest firmware upgrade by going to www.Proficient.com. Instructions for uploading the firmware and checking what version you have in the device can be found in the Proficient Editor manual.